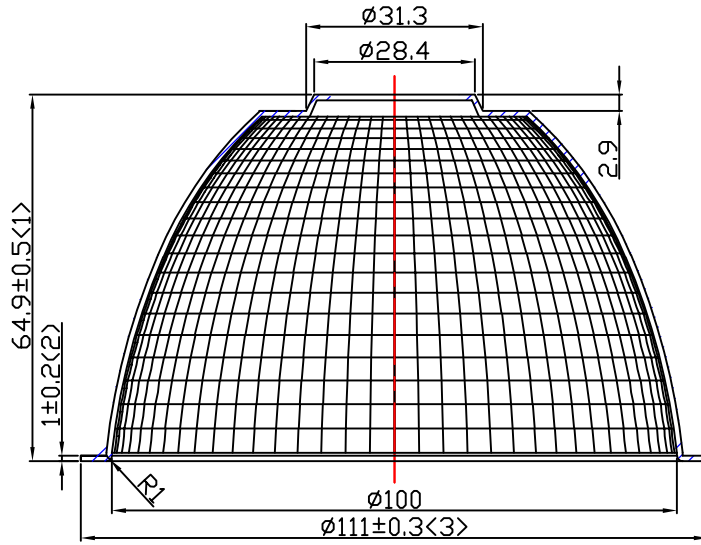
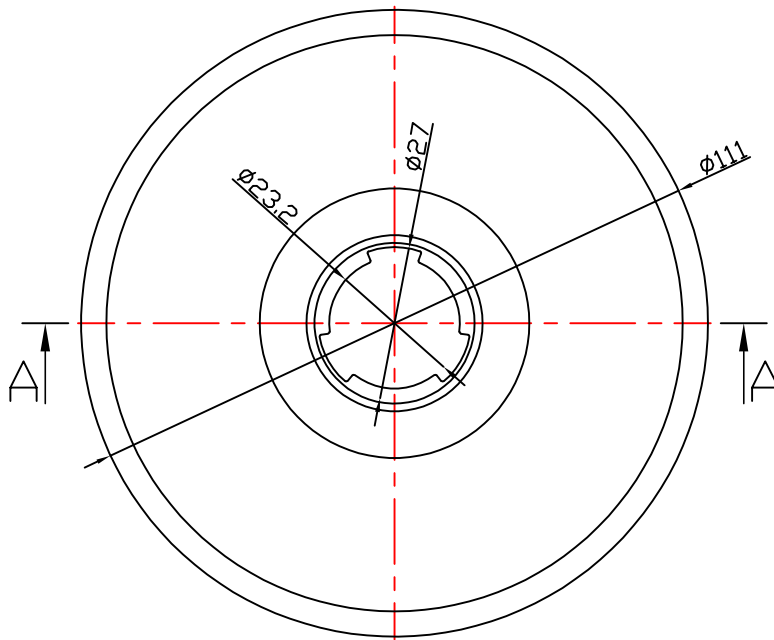


table for unmentioned tolerance in the drawing (unit: mm)			punch angle tolerance in the drawing (unit:degree)		
0-5	5-30	30-120	0-10	10-50	50-120
±0.15	±0.2	±0.5	±1°	±0.5°	±0.3°
120-250	250-400	400-700	120-250	250-360	360 above
±0.8	±1.5	±2	±0.2°	±0.166°	±0.083°



A - A



Light Source	PHILIPS SLM 1208 G7
PlasticHolder	
Metal Adaptor	92.76.323.00
Design Angle	39° ± 3°
Measured Angle	38.5°

					Material:T:1.0 1090AL		 NATA Lighting Co.,Ltd	
Mark	Amended Times	Amended Content		Signature	Amended Date		Customer Item	
Controll Version	AO	Design Version	K0	Client Version			Customer Code	NT
Designer		Drawing by		Proportion	1:1		Product Number	
Technology		Auditor		View			Product Name	4-2129-E
Approval		Date	2019.06.21	Page	Total Page			